

(b) Use of a transmitter which has power output in excess of that authorized voids your authority to operate the station.

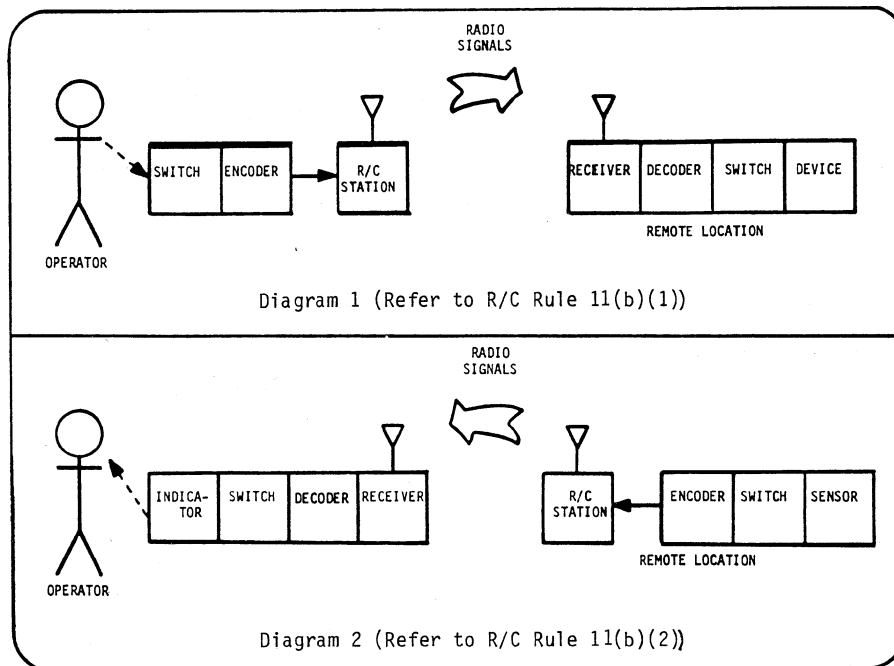
§ 95.211 (R/C Rule 11) What communications may be transmitted?

(a) You may only use your R/C station to transmit one-way communications. (One-way communications are transmissions which are not intended to establish communications with another station.)

(b) You may only use your R/C station for the following purposes:

(1) The operator turns on and/or off a device at a remote location (Refer to Diagram 1); or

(2) A sensor at a remote location turns on and/off an indicating device for the operator. (Refer to Diagram 2). Only Channels 26.995 to 27.255 MHz (see R/C Rule 7, §95.207(a)(1)) may be used for this purpose. (A remote location means a place distant from the operator.)



(c) Your R/C station may transmit any appropriate non-voice emission.

[48 FR 24890, June 3, 1983, as amended at 50 FR 37857, Sept. 18, 1985; 57 FR 40343, Sept. 3, 1992]

§ 95.212 (R/C Rule 12) What communications are prohibited?

You must not use an R/C station—

(a) In connection with any activity which is against federal, state or local law;

(b) To transmit any message other than for operation of devices at remote locations (no voice, telegraphy, etc.);

(c) To intentionally interfere with another station's transmissions;

(d) To operate another R/C transmitter by remote control (See R/C Rule 17, §95.217); or

(e) To transmit two-way communications.

(f) To transmit data. Tone or other signal encoding, however, is not considered to be data when only used either

§ 95.213

for the purpose of identifying the specific device among multiple devices that the operator intends to turn on/off, or the specific sensor among multiple sensors intended to turn on/off indicating device for the operator.

[48 FR 24890, June 3, 1983, as amended at 54 FR 8336, Feb. 28, 1989; 54 FR 20476, May 11, 1989]

§ 95.213 (R/C Rule 13) May I be paid to use my R/C station?

(a) You may not accept direct or indirect payment for transmitting with an R/C station.

(b) You may use an R/C station to help you provide a service, and be paid for that service, as long as you are paid only for the service and not for the actual use of the R/C station.

§ 95.214 (R/C Rule 14) Who is responsible for R/C communications I make?

You are responsible for all communications which are made by you from an R/C station.

§ 95.215 (R/C Rule 15) Do I have to limit the length of my communications?

(a) You must limit your R/C communications to the minimum practical time.

(b) The only time your R/C communications may be a continuous signal for more than 3 minutes is when operation of the device requires at least one or more changes during each minute of the communications.

(c) Your R/C station may transmit a continuous signal without modulation only if:

(1) You are using it to operate a model aircraft device; and

(2) The presence or absence of the signal operates the device.

(d) If you show that you need a continuous signal to insure the immediate safety of life or property, the FCC may make an exception to the limitations in this rule.

§ 95.216 (R/C Rule 16) Do I identify my R/C communications?

You need not identify your R/C communications.

47 CFR Ch. I (10-1-09 Edition)

§ 95.217 (R/C Rule 17) May I operate my R/C station transmitter by remote control?

(a) You may not operate an R/C transmitter by radio remote control. (See R/C Rule 12, § 95.212.)

(b) You may operate an R/C transmitter by wireline remote control if you obtain specific approval in writing from the FCC. To obtain FCC approval, you must show why you need to operate your station by wireline remote control. If you receive FCC approval, you must keep the approval as part of your station records. See R/C Rule 24, § 95.224.

(c) Remote control means operation of an R/C transmitter from any place other than the location of the R/C transmitter. Direct mechanical control or direct electrical control by wire from some point on the same premises, craft or vehicles as the R/C transmitter is not considered remote control.

[48 FR 24890, June 3, 1983, as amended at 63 FR 68976, Dec. 14, 1998]

OTHER THINGS YOU NEED TO KNOW

§ 95.218 (R/C Rule 18) What are the penalties for violating these rules?

(a) If the FCC finds that you have willfully or repeatedly violated the Communications Act or the FCC Rules, you may have to pay as much as \$10,000 for each violation, up to a total of \$75,000. (See Section 503(b) of the Communications Act.)

(b) If the FCC finds that you have violated any section of the Communications Act or the FCC Rules, you may be ordered to stop whatever action caused the violation. (See section 312(b) of the Communications Act.)

(c) If a federal court finds that you have willfully and knowingly violated any FCC Rule, you may be fined up to \$500 for each day you committed the violation. (See section 502 of the Communications Act.)

(d) If a Federal court finds that you have willfully and knowingly violated any provision of the Communications Act, you may be fined up to \$10,000, or you may be imprisoned for one year, or both. (See section 501 of the Communications Act.)

[48 FR 24890, June 3, 1983, as amended at 57 FR 40343, Sept. 3, 1992]